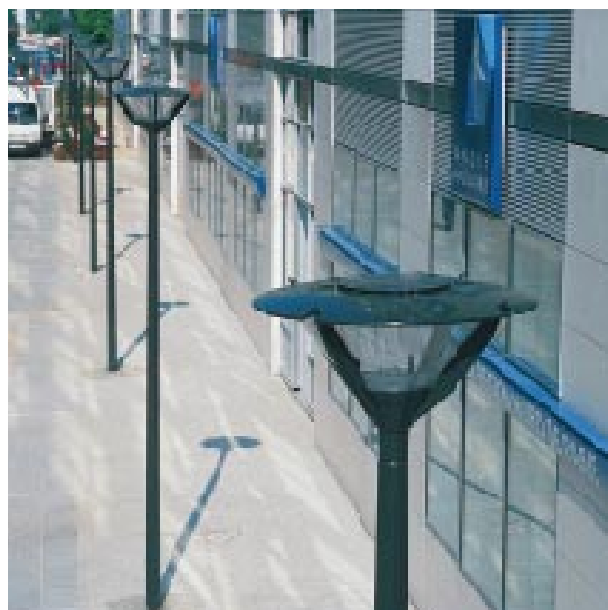
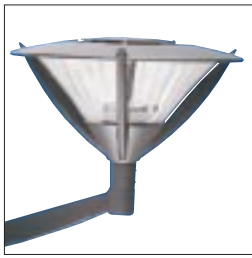


ALURA

Two versions are suggested: indirect and direct lighting. In both versions, a symmetrical or an asymmetrical light distribution is available. With the indirect lighting version, colour filters placed in the optical assembly can create special effects.

Equipped with lamps up to 150 W, the Alura can be installed between 3 and 5 metres.





Indirect lighting



Direct lighting

Design: Michel Tortel

Materials

Base: die-cast aluminium

Arms: die-cast aluminium

Protector: injection-moulded polycarbonate or acrylic

- Indirect lighting: striated transparent protector
- Direct lighting: striated frosted protector

Cover: die-cast aluminium

Reflectors:

- Indirect lighting
 - One lower reflector and two upper reflectors: chemically polished spun aluminium
- Direct lighting
 - One upper reflector painted white

Mechanical properties

Optical assembly tightness: IP66 (*)

Control gear compartment tightness: IP66 (*)

Impact resistance:

- polycarbonate: IK 08 (**)
- acrylic: IK 04 (**)

Aerodynamic resistance: $C_x S = 0.124 \text{ m}^2$

Empty weight: 9.6 kg

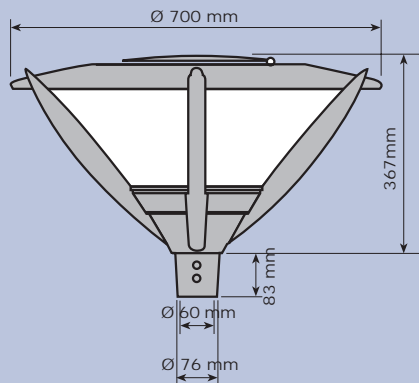
Incorporation of the control gear: see lamp table

(*) according to EN 60598

(**) according to EN 50102

Dimensions

Recommended installation height: 3 to 5 m



Electrical specifications

Nominal voltage: 230 V - 50 Hz

Class I or II

Maintenance

Access to the lamp and - if necessary - to the control gear by unscrewing the two captive screws of the plug cover situated on the cover of the luminaire. After this step, the plug cover pivots around a hinge.

If the control gear plate is incorporated, it can be easily disconnected by unscrewing two captive screws.

Finishes

Base, cover and arms:

- grainy charcoal grey (AKZO 900)
- mottled light grey (AKZO 9770)
- on request: any other RAL colour

Options

Colour filters: any RAL colour (indirect lighting)

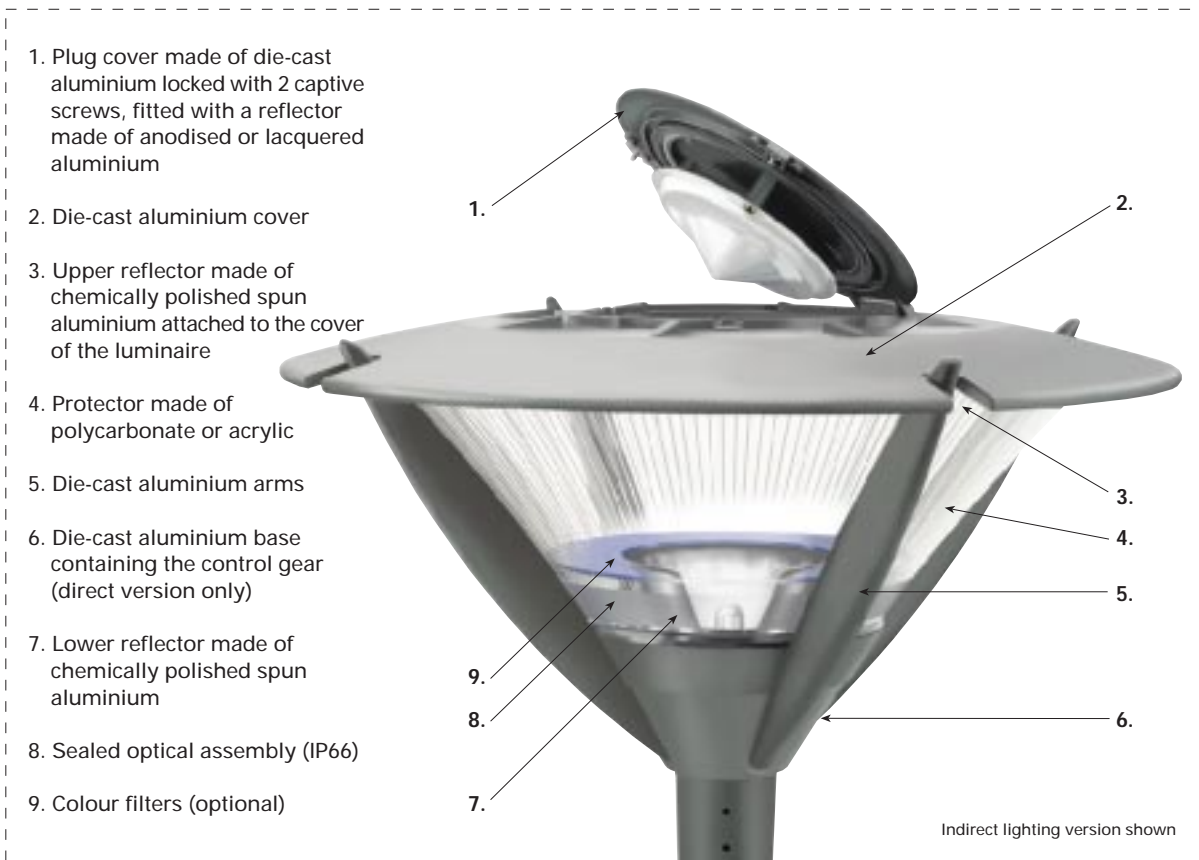
Wall bracket: • version with control gear

- version without control gear

Lamp table

Lamp type	Indirect light distribution		Direct light distribution	
	1577	1630	1584	1649
White sodium	-	-	100W (T)	100W (T)
High-pressure sodium	-	-	70W (T) 100W (T) 150W (T)(*)	70W (T) 100W (T) 150W (T)(*)
Compact fluorescent	-	-	42W	42W
Mercury vapour	-	-	80W (O) 125W (O)	80W (O) 125W (O)
Metal halide	-	-	35W (T) 70W (T) 150W (T)(*)	35W (T) 70W (T) 150W (T)(*)
Metal halide with ceramic arc tube	35W (T)(*) 70W (T)(*) 150W (T)(*)	35W (T)(*) 70W (T)(*) 150W (T)(*)	35W (T) 70W (T) 150W (T)(*)	35W (T) 70W (T) 150W (T)(*)
Induction			55W (O) 85W (O)	55W (O) 85W (O)

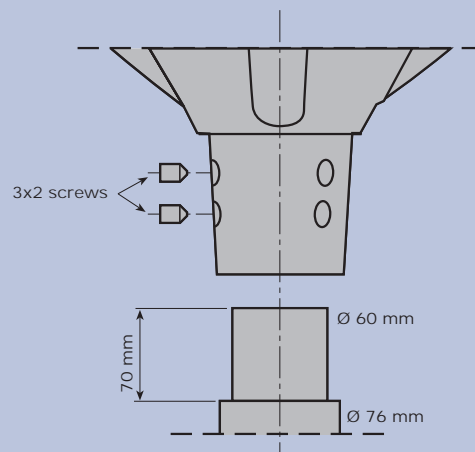
(*)= control gear not incorporated
T= Tubular O= Ovoid



Mounting

Post-top

- Mounting on 60 mm top section using 6 press-screws.



To facilitate electrical installation, the Alura is supplied prewired (4 m).

ALURA

1. Direct lighting - fluted thermolaquered steel mast
2. Indirect lighting - galvanised steel cylindrical-conical mast
3. Indirect lighting - wall bracket CASURA
4. Indirect lighting - wooden mast

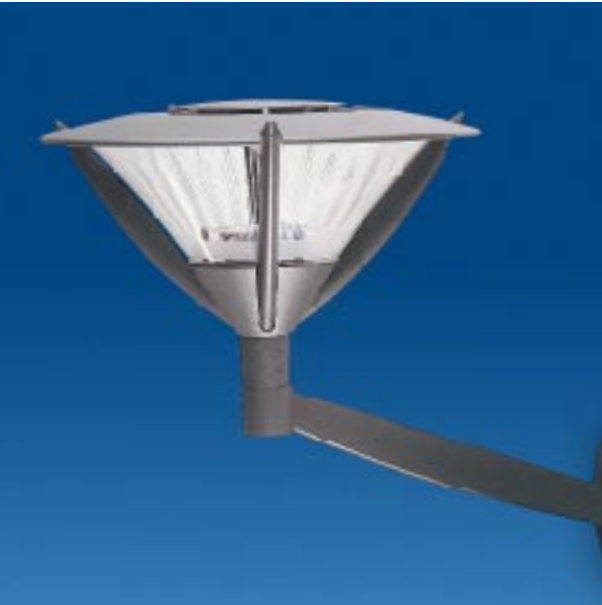
1.



2.



3.



4.

