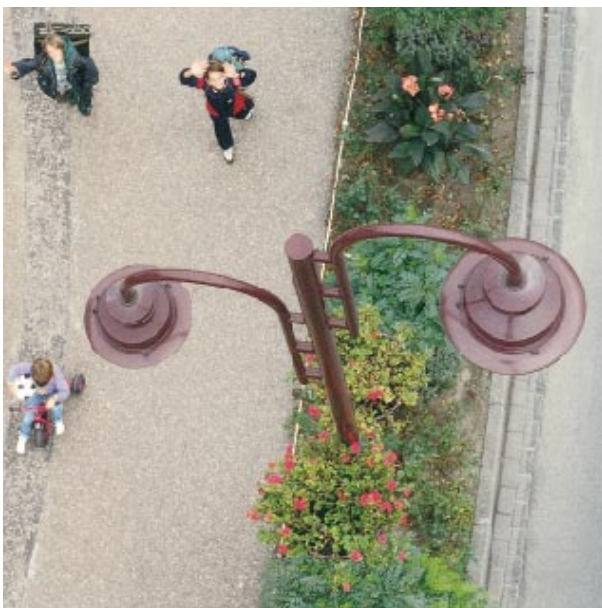


ALBANY

The Albany is available in two sizes. The first one is designed for a maximal power of 150 W and for installation heights between 4 and 7 metres. The second one can incorporate lamps up to 250 W and will ideally be installed between 7 and 10 metres.

This luminaire, all in aluminium, is equipped with a polycarbonate protector that can be covered with a special frosted-looking varnish.





Materials

Body: spun aluminium

Protector: coextruded polycarbonate stabilized against UV-rays

Reflector: deep drawn chemically polished aluminium or metallised plastic

Mechanical properties

Optical assembly tightness: IP66 (Sealsafe®) (*)

Control gear compartment tightness rating: IP44 (*)

Impact resistance: polycarbonate: IK 08 (**)

Aerodynamic resistance: • CxS= 0.136 m² (Albany maxi)
• CxS= 0.098 m² (Albany midi)

Empty weight: • Albany maxi: 10 kg
• Albany midi: 8 kg

Incorporable control gear mounted on a disconnectable, removable plate.

(*) according EN 60598

(**) according EN 50102

Finishes

Body: • standard: black (RAL 9005)

• on request: any other RAL colour

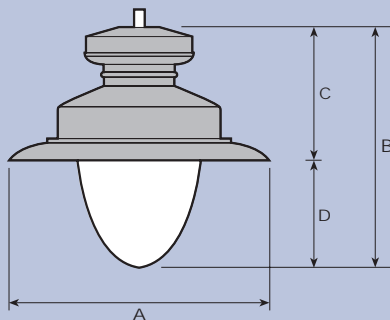
Protector: • standard: smooth polycarbonate

Dimensions

Recommended installation heights:

- maxi: 7 to 10 m

- midi: 4 to 7 m



mm	A	B	C	D
ALBANY-MAXI	Ø700	681	374	307
ALBANY-MIDI	Ø590	584	308	276

Maintenance

The luminaire is opened by undoing two 1/4-turn screws and pivoting the optical assembly downwards around a hinge.

This gives access to the control gear compartment and to the reflector, which is fitted with a lampholder plug.

Electrical specifications

Class I

Nominal voltage: 230 V - 50 Hz

Options

Protector covered with a POND varnish (Partially Obscuring Non-Diffusing)

Class II

Fuses

Induction lamp

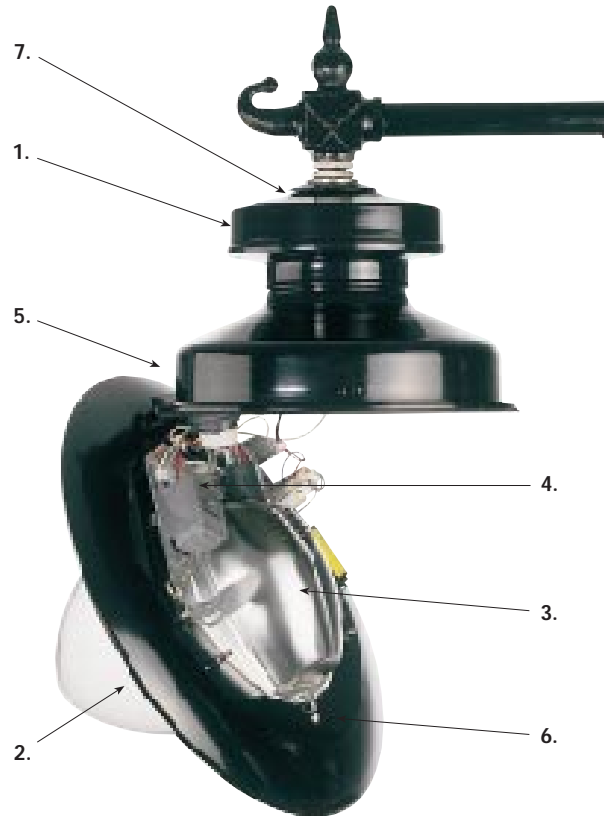
On site inclination ($\pm 6^\circ$)

Lamp table

Lamp type	Direct light distribution				
	Reflector type				
	MIDI ALBANY		MAXI ALBANY		
	1543	1627	1543	1312	1170
White sodium	50W (T)	50W (T)	50W (T)	-	50W (T)
	100W (T)	100W (T)	100W (T)	100W (T)	100W (T)
High-Pressure sodium	50W (T)	50W (T)	50W (T)	-	50W (T)
	70W (T)	70W (T)	70W (T)	-	70W (T)
	100W (T)	100W (T)	100W (T)	100W (T)	100W (T)
	-	-	-	150W (T)	150W (T)
	-	-	-	250W (T)	-
Mercury Vapour	80W (O)	80W (O)	80W (O)	-	80W (O)
	125W (O)	125W (O)	125W (O)	-	125W (O)
	-	-	-	-	-
Metal halide	70W (T)	70W (T)	70W (T)	-	-
	150W (T)	150W (T)	150W (T)	150W (T)	150W (T)
	-	-	-	250W (T)	-
Metal halide with ceramic arc tube	70W (T)	70W (T)	70W (T)	-	70W (T)
	150W (T)	150W (T)	150W (T)	-	150W (T)

T= Tubular O= Ovoid

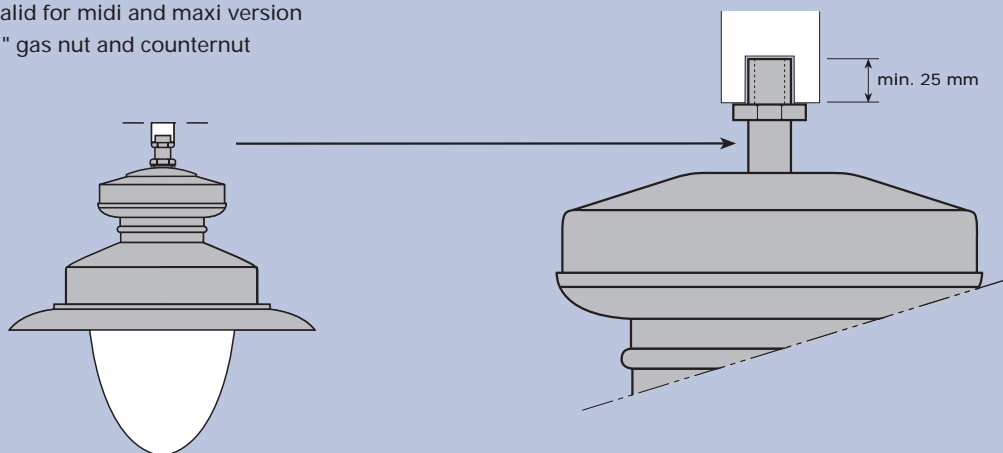
1. Spun aluminium body
2. Coextruded polycarbonate protector
3. Sealsafe® optical assembly (IP66)
4. Disconnectable control gear plate
5. Hinge
6. 1/4-turn screws to open and close the luminaire
7. Suspended mounting



Mounting

Suspended

- valid for midi and maxi version
- 1" gas nut and counternut



SETS MAST - LUMINAIRE

LUCIO

- Cylindrical-conical thermolaquered galvanised steel column
- Single or double bracket arm and wall bracket
- Height: 6 to 8 metres
- Luminaire: Albany



TELMA

- Cylindrical-conical thermolaquered aluminium steel column
- Thermolaquered steel bracket
- Height: 6 to 8 metres
- Luminaire: Albany

